

Tatou Smart pilot IO

Multi-shape extensive heat panel with energy saving functions



Product

COMFORT

- Extensive heat panel with sensors, black painted extruded aluminium heating element & digital display
- Distance piloting through a smartphone or a tablet thanks to Cozytouch
- Extruded aluminium heating element with large surface diffuser
- Temperature setting displayed on digital unit

SAVINGS

- Up to 45% energy savings* thanks to integrated programming and presence detector
- Smart control functions learning and adapting the energy consumption to the user's lifestyle
- Window open/closed detection function switching to minimum heating function as soon as a window opens
- Consumption indicator for responsible, informed use of the equipment
- 6-command pilot wire: Comfort, Comfort- 1°C, Comfort - 2°C, Eco, Frost-free, Off
- Electronic thermostat

USER-FRIENDLINESS

- Equipped with Cozytouch: Home automation controlling heating, from afar through a smartphone or a tablet
- Digital display unit showing the temperature in degrees
- 5-Mode switch: Comfort, Eco, Frost-free, Off, Programme
- ASP (Anti-Staining Process) to reduce staining on wall and on equipment
- Easy to install: H-shaped vertical support, which can also be used as an installation template

DESIGN



- Standard and high versions to adapt to the customer's rooms
- Colour shade: white (RAL 9016)
- Light indicator for heating



Standard

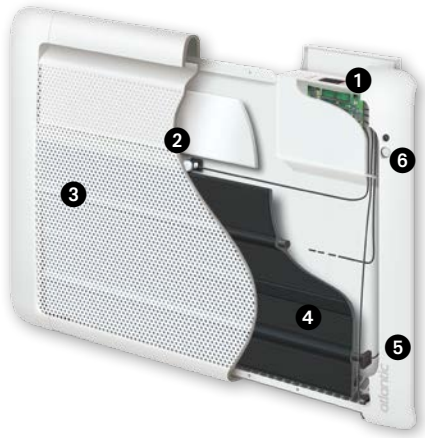
High

EASY TO INSTALL

 <p>A B C D</p> <p>Model available**</p>	<p>EXTENSIVE HEAT PANEL HEATER</p> <p>500 TO 2 000 W</p> <p>Output</p>	<p>UP TO</p> <p>+45%</p> <p>ENERGY SAVINGS*</p> <p>Energy saving</p>
<p>Smart Pilot</p> <p>Cozytouch</p> <p>Technology</p>	 <p>IO-Homecontrol®</p>	<p>ALUMINIUM</p> <p>HEATING ELEMENT</p> <p>Heating element type</p>

* Compared to a mechanical convector

** Model types : A : Standard / B : Low / C : High / D : Plinth



- 1 Digital controls
- 2 Over-heating safety device
- 3 Perforated frontal air outlet
- 4 Extruded aluminium heating element
- 5 Room temperature sensor
- 6 Movement and light sensors



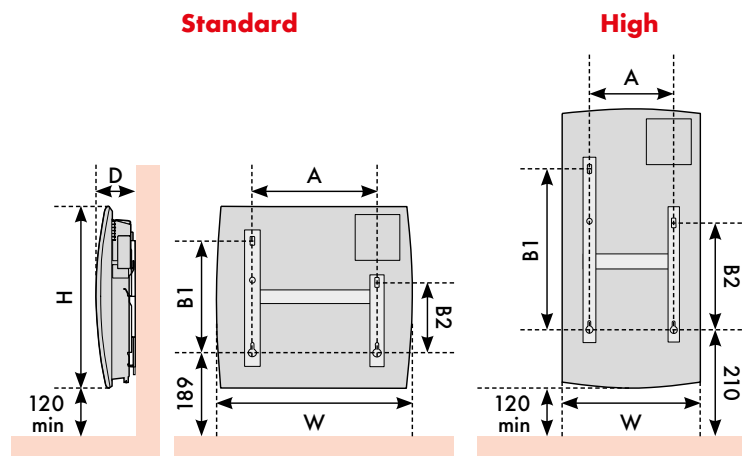
- 1 MENU button to access appliance various functions
- 2 Energy consumption indicator
- 3 ON/OFF
- 4 Menu navigation, temperature & active mode setting buttons

Smart Pilot

A simple move
and the radiator takes
care of everything

UP TO
+45%
ENERGY
SAVINGS*

INSTALLATION DIMENSIONS (in mm)



TATOU SMART PILOT IO

TECHNICAL DATA

OUTPUT (W)	DIMENSIONS (mm)						NET WEIGHT (kg)
	Width (W)	Height (H)	Depth (D)	A	B1	B2	
Tatou Digital Standard							
500	465	470	120	195	251	158	4.3
750	540	470	120	269	251	158	4.9
1 000	615	470	120	343	251	158	5.5
1 250	765	470	120	491	251	158	6.2
1 500	840	470	120	565	251	158	7.1
2 000	1 060	470	120	789	251	158	10
Tatou Digital High							
1 000	470	775	135	532	444	158	7.2
1 500	470	995	135	828	740	158	9.3
2 000	470	1 220	135	976	888	158	11.3